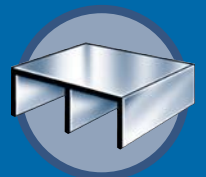
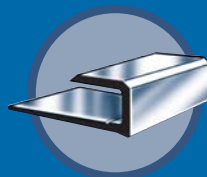
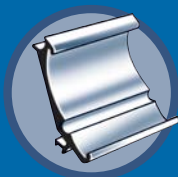
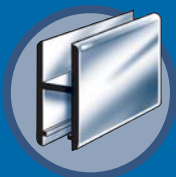


SHOWER ENCLOSURE

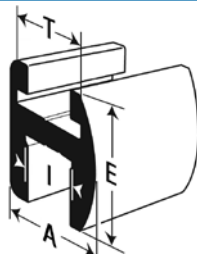
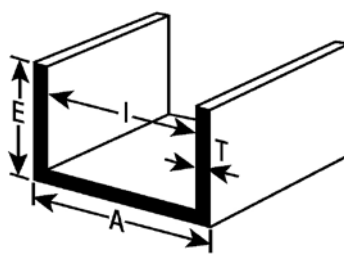
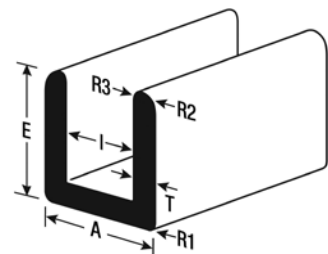


RIGHT SHAPES

RIGHT PRICE

RIGHT NOW



DRAWING	PART NUMBER	DIMENSIONS				LENGTH	FINISH
		E	A	T	I/R		
HEADER - For 1/2" Material							
	CP 0308	1 1/4"	1"	3/4"	9/16"	12'	BC, SS
CHANNEL - Architectural							
	IE 1615*	3/4"	0.524"	1/16"	0.398"	8', 12'	BC, SS
	IE 1621	3/4"	9/16"	0.060"	7/16"	8'	AN, SS
							12'
CHANNEL - Rounded Outside - Architectural							
	IE 1625**	3/8"	9/16"	0.080"	0.403"	12'	AN, BC, SB, SS
	IE 1626**	3/8"	0.678"	0.080"	0.518"	12'	AN, BC, SB, SS
	IE 1627**	3/4"	9/16"	0.080"	0.403"	98", 12'	AN, BC, SB, SS
	IE 1628**	3/4"	0.578"	0.080"	0.518"	12'	AN, BC, SB, SS

*IE1615 fits into header extrusion

Radius Dimensions: **R1 - 0.031", **R2** - 0.063", **R3** - 0.031"

FINISHES: **AN**-Anodized, **BC**-Brite Clear, **BK**-Brite Black, **BS**-Brass, **BZ**-Bronze, **ML**-Mill, **SB**-Satin Black, **SS**-Stainless Steel Brushed

CUSTOMER SERVICE • PHONE: 888-501-8689 FAX: (416) 798-1094