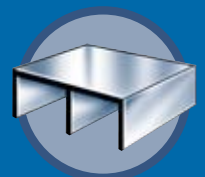
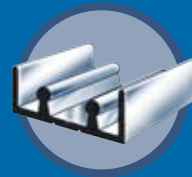
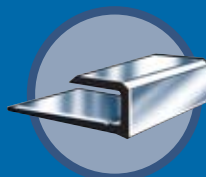
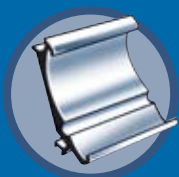
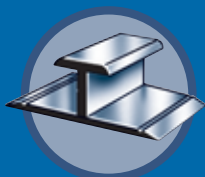
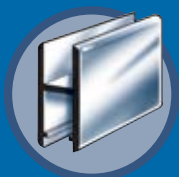


**EXTRUDE•A•TRIM**  
*The Aluminum Warehouse*

# MIRROR, GLASS AND PANEL TRIM



**RIGHT SHAPES**

**RIGHT PRICE**

**RIGHT NOW**



DRAWING	PART NUMBER	DESCRIPTION						
<b>J CAP</b>								
	FR 0230	ALUMINUM CAP FOR 1/16" MATERIAL <table border="1"> <tr> <th>LENGTH</th> <th>FINISH</th> </tr> <tr> <td>12'</td> <td>AN, BC</td> </tr> </table>	LENGTH	FINISH	12'	AN, BC		
LENGTH	FINISH							
12'	AN, BC							
	FR 0330	ALUMINUM CAP FOR 3/32" MATERIAL <table border="1"> <tr> <th>LENGTH</th> <th>FINISH</th> </tr> <tr> <td>12'</td> <td>AN, BC</td> </tr> </table>	LENGTH	FINISH	12'	AN, BC		
LENGTH	FINISH							
12'	AN, BC							
	FR 0430	ALUMINUM CAP FOR 5/32" MATERIAL <table border="1"> <tr> <th>LENGTH</th> <th>FINISH</th> </tr> <tr> <td>12'</td> <td>AN, BC, SB</td> </tr> </table>	LENGTH	FINISH	12'	AN, BC, SB		
LENGTH	FINISH							
12'	AN, BC, SB							
	FR 2132	ALUMINUM BOTTOM RAIL CAP FOR 1/4" MATERIAL <table border="1"> <tr> <th>LENGTH</th> <th>FINISH</th> </tr> <tr> <td>8'</td> <td>BC</td> </tr> <tr> <td>12'</td> <td>AN, BC, BZ</td> </tr> </table>	LENGTH	FINISH	8'	BC	12'	AN, BC, BZ
LENGTH	FINISH							
8'	BC							
12'	AN, BC, BZ							
	FR 2135	ALUMINUM CAP FOR 3/8" MATERIAL <table border="1"> <tr> <th>LENGTH</th> <th>FINISH</th> </tr> <tr> <td>8'</td> <td>AN, BC</td> </tr> <tr> <td>12'</td> <td>AN, BC</td> </tr> </table>	LENGTH	FINISH	8'	AN, BC	12'	AN, BC
LENGTH	FINISH							
8'	AN, BC							
12'	AN, BC							

FINISHES: AN-Anodized, BC-Brite Clear, BS-Brass, BZ-Bronze, ML-Mill, SB-Satin Black, SS-Stainless Steel Brushed

CUSTOMER SERVICE • PHONE: 888-501-8689 FAX: (416) 798-1094



DRAWING	PART NUMBER	DESCRIPTION						
<b>J CAP</b>								
	FR 2136	ALUMINUM CAP FOR 1/2" MATERIAL <table border="1"> <thead> <tr> <th>LENGTH</th> <th>FINISH</th> </tr> </thead> <tbody> <tr> <td>8'</td> <td>BC</td> </tr> <tr> <td>12'</td> <td>AN</td> </tr> </tbody> </table>	LENGTH	FINISH	8'	BC	12'	AN
LENGTH	FINISH							
8'	BC							
12'	AN							
	FR 2137	ALUMINUM BOTTOM CAP FOR 5/16" MATERIAL PUNCHED AND SLOTTED <table border="1"> <thead> <tr> <th>LENGTH</th> <th>FINISH</th> </tr> </thead> <tbody> <tr> <td>12'</td> <td>AN, BC, BS</td> </tr> </tbody> </table>	LENGTH	FINISH	12'	AN, BC, BS		
LENGTH	FINISH							
12'	AN, BC, BS							
	FR 2138	ALUMINUM BOTTOM CAP FOR 3/4" MATERIAL <table border="1"> <thead> <tr> <th>LENGTH</th> <th>FINISH</th> </tr> </thead> <tbody> <tr> <td>12'</td> <td>AN</td> </tr> </tbody> </table>	LENGTH	FINISH	12'	AN		
LENGTH	FINISH							
12'	AN							
	FR 3132	ALUMINUM CAP FOR 1/4" MATERIAL (TOP RAIL) <table border="1"> <thead> <tr> <th>LENGTH</th> <th>FINISH</th> </tr> </thead> <tbody> <tr> <td>8'</td> <td>BC, BS</td> </tr> <tr> <td>12'</td> <td>AN, BC, SS</td> </tr> </tbody> </table>	LENGTH	FINISH	8'	BC, BS	12'	AN, BC, SS
LENGTH	FINISH							
8'	BC, BS							
12'	AN, BC, SS							
	FR 3139	ALUMINUM BOTTOM CAP FOR 5/16" MATERIAL PUNCHED AND SLOTTED <table border="1"> <thead> <tr> <th>LENGTH</th> <th>FINISH</th> </tr> </thead> <tbody> <tr> <td>12'</td> <td>AN, BC</td> </tr> </tbody> </table>	LENGTH	FINISH	12'	AN, BC		
LENGTH	FINISH							
12'	AN, BC							

FINISHES: AN-Anodized, BC-Brite Clear, BS-Brass, ML-Mill, SB-Satin Black, SS-Stainless Steel Brushed

CUSTOMER SERVICE • PHONE: 888-501-8689 FAX: (416) 798-1094



DRAWING	PART NUMBER	DESCRIPTION						
<b>J CAP</b>								
	FR 3264	ALUMINUM CAP FOR 5/8" MATERIAL <table border="1"> <thead> <tr> <th>LENGTH</th> <th>FINISH</th> </tr> </thead> <tbody> <tr> <td>12'</td> <td>AN</td> </tr> </tbody> </table>	LENGTH	FINISH	12'	AN		
LENGTH	FINISH							
12'	AN							
	FR 3265	ALUMINUM FLANGE CAP FOR 5/8" MATERIAL <table border="1"> <thead> <tr> <th>LENGTH</th> <th>FINISH</th> </tr> </thead> <tbody> <tr> <td>12'</td> <td>AN</td> </tr> </tbody> </table>	LENGTH	FINISH	12'	AN		
LENGTH	FINISH							
12'	AN							
<b>MIRROR EDGE MOULDING</b>								
	FR 1124	ALUMINUM DECORATIVE MIRROR TRIM FOR 1/4" MATERIAL <table border="1"> <thead> <tr> <th>LENGTH</th> <th>FINISH</th> </tr> </thead> <tbody> <tr> <td>12'</td> <td>AN, BC, BS</td> </tr> </tbody> </table>	LENGTH	FINISH	12'	AN, BC, BS		
LENGTH	FINISH							
12'	AN, BC, BS							
	FR 1125	ALUMINUM EDGING FOR 1/4" MATERIAL CAN BE USED WITH CAP FR-2132 AND FR-3132 <table border="1"> <thead> <tr> <th>LENGTH</th> <th>FINISH</th> </tr> </thead> <tbody> <tr> <td>12'</td> <td>AN, BC</td> </tr> </tbody> </table>	LENGTH	FINISH	12'	AN, BC		
LENGTH	FINISH							
12'	AN, BC							
	FR 1127	ALUMINUM EDGING FOR 1/4" MATERIAL CAN BE USED WITH CAP FR-2132 AND FR-3132 <table border="1"> <thead> <tr> <th>LENGTH</th> <th>FINISH</th> </tr> </thead> <tbody> <tr> <td>8'</td> <td>AN, BC, BS</td> </tr> <tr> <td>12'</td> <td>AN, BC, BK, BS</td> </tr> </tbody> </table>	LENGTH	FINISH	8'	AN, BC, BS	12'	AN, BC, BK, BS
LENGTH	FINISH							
8'	AN, BC, BS							
12'	AN, BC, BK, BS							

FINISHES: AN-Anodized, BC-Brite Clear, BK-Brite Black, BS-Brass, ML-Mill, SB-Satin Black, SS-Stainless Steel Brushed

CUSTOMER SERVICE • PHONE: 888-501-8689 FAX: (416) 798-1094



DRAWING	PART NUMBER	DESCRIPTION
<b>DIVIDER</b>		
	FR 0231	ALUMINUM DIVIDER FOR 1/16" MATERIAL <u>LENGTH</u> <u>FINISH</u> 12'                                      AN
	FR 0431	ALUMINUM DIVIDER FOR 5/32" MATERIAL <u>LENGTH</u> <u>FINISH</u> 12'                                      AN, BC
	FR 1131	ALUMINUM DIVIDER FOR 1/2" MATERIAL <u>LENGTH</u> <u>FINISH</u> 12'                                      AN
	FR 2131	ALUMINUM DIVIDER FOR 1/4" MATERIAL <u>LENGTH</u> <u>FINISH</u> 12'                                      AN, BC, BS
	FR 3131	ALUMINUM DIVIDER FOR 3/4" MATERIAL <u>LENGTH</u> <u>FINISH</u> 12'                                      AN
	FR 3263	ALUMINUM DIVIDER FOR 5/8" MATERIAL <u>LENGTH</u> <u>FINISH</u> 12'                                      AN

FINISHES: AN-Anodized, BC-Brite Clear, BS-Brass, ML-Mill, SB-Satin Black, SS-Stainless Steel Brushed

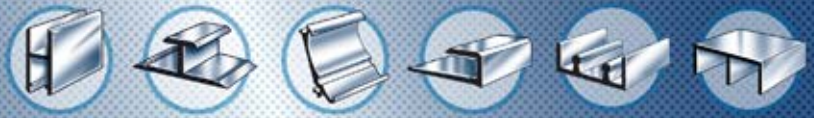
CUSTOMER SERVICE • PHONE: 888-501-8689 FAX: (416) 798-1094



DRAWING	PART NUMBER	DESCRIPTION
<b>DIVIDER</b>		
	FR 3266	ALUMINUM DOUBLE DIVIDER FOR 5/8" MATERIAL <u>LENGTH</u> <u>FINISH</u> 12'                                      AN
	FR 5131	ALUMINUM DOUBLE DIVIDER FOR 3/4" MATERIAL <u>LENGTH</u> <u>FINISH</u> 12'                                      AN
	FR 6131	ALUMINUM DIVIDER FOR 5/16" MATERIAL <u>LENGTH</u> <u>FINISH</u> 12'                                      AN
<b>CORNER MOULDING</b>		
	FR 4135	ALUMINUM EDGING FOR 3/4" MATERIAL PRE DRILLED <u>LENGTH</u> <u>FINISH</u> 12'                                      AN, BC, SS
	FR 4136	ALUMINUM 90° CORNER MOULDING FOR 3/4" MATERIAL <u>LENGTH</u> <u>FINISH</u> 12'                                      AN
	FR 5130	ALUMINUM O/S & I/S CORNER MOULDING FOR 1/4" MATERIAL <u>LENGTH</u> <u>FINISH</u> 12'                                      AN, BC, BS

FINISHES: AN-Anodized, BC-Brite Clear, BS-Brass, ML-Mill, SB-Satin Black, SS-Stainless Steel Brushed

CUSTOMER SERVICE • PHONE: 888-501-8689 FAX: (416) 798-1094

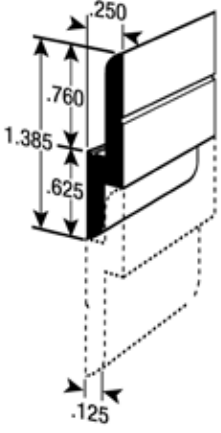

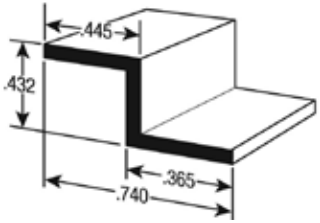


DRAWING	PART NUMBER	DESCRIPTION
<b>CORNER MOULDING</b>		
	FR 5140	ALUMINUM 90° CORNER MOULDING FOR 5/16" MATERIAL <u>LENGTH</u> <u>FINISH</u> 12'                                      AN, BC
	FR 5145	ALUMINUM 90° CORNER MOULDING FOR 1/2" MATERIAL <u>LENGTH</u> <u>FINISH</u> 12'                                      AN
	FR 7130	ALUMINUM FIXED GLASS MOULDING FOR 1/4" MATERIAL <u>LENGTH</u> <u>FINISH</u> 12'                                      AN, BC, BS

FINISHES: **AN**-Anodized, **BC**-Brite Clear, **BS**-Brass, **ML**-Mill, **SB**-Satin Black, **SS**-Stainless Steel Brushed

CUSTOMER SERVICE • PHONE: 888-501-8689 FAX: (416) 798-1094



DRAWING	PART NUMBER	DESCRIPTION						
<b>Z CLIP</b>								
	FR 0130	<p>ALUMINUM "Z" CLIP EXTRUSION FOR HANGING PANELS 1.385" DEPTH PROVIDES 3/8" LIFT OFF</p> <table border="1"> <thead> <tr> <th>QUANTITY</th> <th>FINISH</th> </tr> </thead> <tbody> <tr> <td>8', 12'</td> <td>ML</td> </tr> </tbody> </table>	QUANTITY	FINISH	8', 12'	ML		
QUANTITY	FINISH							
8', 12'	ML							
	FR 0130 PC	<p>ALUMINUM "Z" CLIP FOR HANGING PANELS 2" LENGTHS PRE-DRILLED</p> <table border="1"> <thead> <tr> <th>QUANTITY</th> <th>FINISH</th> </tr> </thead> <tbody> <tr> <td>SINGLE</td> <td>ML</td> </tr> <tr> <td>BOX OF 250</td> <td>ML</td> </tr> </tbody> </table>	QUANTITY	FINISH	SINGLE	ML	BOX OF 250	ML
QUANTITY	FINISH							
SINGLE	ML							
BOX OF 250	ML							
	FR 8130	<p>ALUMINUM "Z" BAR</p> <table border="1"> <thead> <tr> <th>LENGTH</th> <th>FINISH</th> </tr> </thead> <tbody> <tr> <td>12'</td> <td>AN</td> </tr> </tbody> </table>	LENGTH	FINISH	12'	AN		
LENGTH	FINISH							
12'	AN							

FINISHES: **AN**-Anodized, **BC**-Brite Clear, **BS**-Brass, **ML**-Mill, **SB**-Satin Black, **SS**-Stainless Steel Brushed

CUSTOMER SERVICE • PHONE: 888-501-8689 FAX: (416) 798-1094