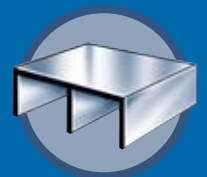
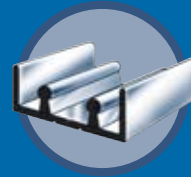
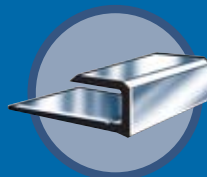
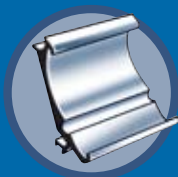
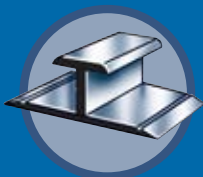
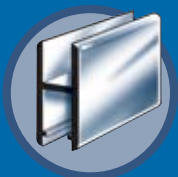


STANDARD SHAPES/ STRUCTURAL SHAPES



RIGHT SHAPES

RIGHT PRICE

RIGHT NOW

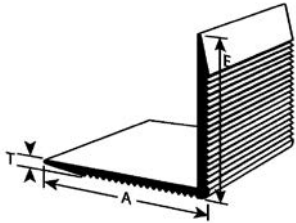
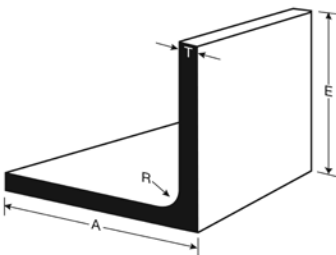
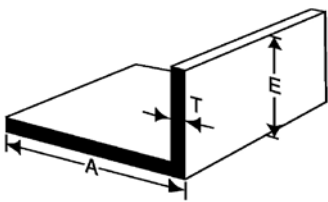


DRAWING	PART NUMBER	DIMENSIONS				LENGTH	FINISH
		E	A	T	I/R		
ANGLES - Equal Leg							
	IE 1207	5/8"	5/8"	1/16"		12'	AN
	IE 1208	13/16"	13/16"	0.060"		12'	AN
	IE 1209	1/2"	1/2"	1/16"		8'	AN, BC
						12'	AN, BC, BK, SB, SS
						21'	ML
	IE 1210	1/2"	1/2"	0.045"		12'	AN
	IE 1212	3/4"	3/4"	0.045"		12'	AN
	IE 1213	3/4"	3/4"	1/16"		8'	AN, BC, SB
						12'	AN, BC, BK, BS, SB, SS
						21'	ML
	IE 1214	1"	1"	0.045"		12'	AN, BC, BR
	IE 1215	1"	1"	1/16"		8'	AN, BC
						12'	AN, BC, BK, BS, BZ, SS
						21'	ML
	IE 1216	1 1/4"	1 1/4"	1/16"		12'	AN, ML, SB
	IE 1218	1 1/2"	1 1/2"	1/16"		12'	AN, BS
	IE 1232	3/4"	3/4"	1/8"		12'	AN, SB
						21'	ML
	IE 1234	1"	1"	1/8"		8', 12'	AN
						21'	ML
IE 1235	1 1/4"	1 1/4"	1/8"		21'	ML	
IE 1236	1 1/2"	1 1/2"	1/8"		8'	AN, BC	
					12'	AN, BC, SS	
					21'	ML	
IE 1238	2"	2"	1/8"		12'	AN	
					21'	ML	
IE 1239	2 1/2"	2 1/2"	1/8"		21'	ML	
IE 1240	3"	3"	1/8"		12', 24'	AN	
IE 1244	1 1/2"	1 1/2"	1/4"		12'	AN	
IE 1250	2"	2"	1/4"		12'	AN	
					21'	ML	

FINISHES: AN-Anodized, BC-Brite Clear, BK-Brite Black, BR-Brown, BS-Brass, BZ-Bronze, ML-Mill, SB-Satin Black, SS-Stainless Steel Brushed

CUSTOMER SERVICE • PHONE: 888-501-8689 FAX: (416) 798-1094



DRAWING	PART NUMBER	DIMENSIONS				LENGTH	FINISH
		E	A	T	I/R		
ANGLES - Equal Leg							
	IE 5892	1 1/2"	1 1/2"	3/32"		12'	ML
ANGLES - Rounded Inside Equal Leg - Structural							
	IE 1316	1 1/4"	1 1/4"	1/8"	0.125"	20'	ML
	IE 1334	1"	1"	1/8"	0.125"	20'	ML
	IE 1336	1 1/2"	1 1/2"	1/8"	0.125"	20'	ML
	IE 1339	2 1/2"	2 1/2"	3/16"	0.125"	20'	ML
	IE 1344	1 1/2"	1 1/2"	1/4"	0.250"	20'	ML
	IE 1350	2"	2"	1/4"	0.250"	20'	ML
	IE 1351	2 1/2"	2 1/2"	1/4"	0.250"	20'	ML
	IE 1352	3"	3"	1/4"	0.250"	20'	ML
	IE 1354	4"	4"	1/4"	0.250"	20'	ML
	IE 1356	6"	6"	3/8"	0.375"	20'	ML
	IE 1362	2"	2"	3/8"	0.375"	20'	ML
ANGLES - Unequal Leg							
	IE 1406	1/4"	3/4"	1/16"		12'	AN, BC
	IE 1408	3/8"	7/8"	1/16"		12'	AN, BZ, SB
	IE 1410	1/2"	3/4"	0.050"		8'	AN
						12'	AN, BC
	IE 1411	1/2"	1"	1/16"		8'	AN
						12'	AN, BC, SS
	IE 1412	1"	1 1/2"	1/16"		12'	AN
	IE 1413	3/4"	1"	0.062"		12'	AN
	IE 1414	1"	2"	1/16"		12'	AN
	IE 1432	1/2"	1"	1/8"		12'	AN
	IE 1434	3/4"	1"	1/8"		12'	AN
					21'	ML	

FINISHES: **AN**-Anodized, **BC**-Brite Clear, **BK**-Brite Black, **BS**-Brass, **BZ**-Bronze, **ML**-Mill, **SB**-Satin Black, **SS**-Stainless Steel Brushed

CUSTOMER SERVICE • PHONE: 888-501-8689 FAX: (416) 798-1094



DRAWING	PART NUMBER	DIMENSIONS				LENGTH	FINISH
		E	A	T	I/R		
ANGLES - Unequal Leg							
	IE 1435	3/4"	1 1/2"	1/8"		8' 12' 21'	AN AN, BC, SS ML
	IE 1436	1"	1 1/2"	1/8"		12' 21'	AN ML
	IE 1437	1 1/2"	2"	1/8"		21'	ML
	IE 1438	1"	2"	1/8"		12' 21'	AN ML
	IE 1440	1"	3"	1/8"		12' 21'	AN ML
	IE 1443	1 1/4"	1 3/4"	1/16"		10'	ML
	IE 1446	2"	4"	1/8"		12'	AN
	IE 1460	3/4"	4 1/4"	0.075"		10'	BC, SS
	ANGLES - Rounded Inside Unequal Leg - Structural						
	IE 1536	1 1/2"	1"	1/8"	0.125"	20'	ML
	IE 1537	2"	1 1/2"	1/4"	0.250"	20'	ML
	IE 1544	2 1/2"	1 1/2"	1/4"	0.250"	20'	ML
	IE 1545	3"	2"	1/4"	0.250"	20'	ML
	IE 1560	3"	5"	1/4"	0.250"	20'	ML
CHANNEL							
	IE 1610	3/8"	3/8"	1/16"	1/4"	8' 12'	AN, BC, SS AN, BC, BS, SS
	IE 1611	3/8"	1/2"	1/16"	0.375"	12'	AN
	IE 1612	1/2"	3/8"	0.045"	0.270"	12'	AN, BC, SS
	IE 1613	1 1/4"	1/2"	1/16"	3/8"	12'	AN
	IE 1614	1/2"	1/2"	1/16"	3/8"	8' 12' 21'	AN, BC AN, BC, BZ, SB ML
	IE 1615	3/4"	0.524"	1/16"	0.398"	8', 12'	BC, SS
	IE 1616	5/8"	5/8"	1/16"	1/2"	8' 12'	AN, BC AN, BC, BS
	IE 1617	5/8"	3/4"	1/16"	5/8"	8' 12'	AN AN, BC
	IE 1618	5/8"	7/8"	1/16"	3/4"	8' 12'	AN, BC AN, BC, BS, SB
	IE 1619	5/8"	1"	1/16"	7/8"	12'	AN
	IE 1620	5/8"	1 1/8"	0.055"	1"	12'	AN, BZ

FINISHES: AN-Anodized, BC-Brite Clear, BK-Brite Black, BS-Brass, BZ-Bronze, ML-Mill, SB-Satin Black, SS-Stainless Steel Brushed

CUSTOMER SERVICE • PHONE: 888-501-8689 FAX: (416) 798-1094



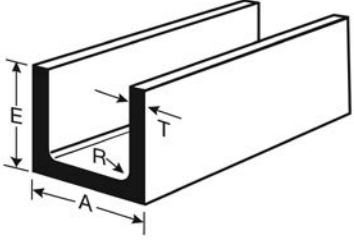
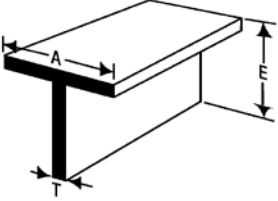
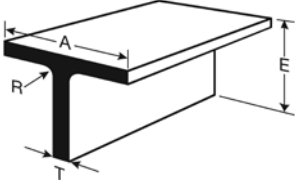
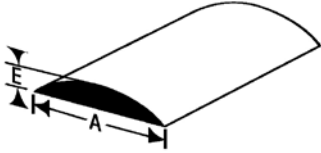
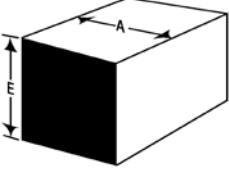
STANDARD SHAPES

DRAWING	PART NUMBER	DIMENSIONS				LENGTH	FINISH
		E	A	T	I/R		
CHANNEL							
	IE 1621	3/4"	9/16"	0.060"	7/16"	8' 12'	AN, SS AN, BC, BK, BS, BZ, SS
	IE 1622	3/8"	9/16"	1/16"	7/16"	12'	AN, BK
	IE 1623	3/4"	3/4"	1/16"	5/8"	12'	AN
	IE 1624	1"	5/8"	1/16"	1/2"	8' 12'	AN, BC AN, BC, BK, BS
	IE 1625	3/4"	9/16"	0.080"	0.403"	12'	AN, BC, SS
	IE 1633	3/4"	3/4"	3/32"	9/16"	12'	AN, BC
	IE 1634	3/4"	3/4"	1/8"	1/2"	12' 21'	AN ML
	IE 1636	3/4"	1"	1/8"	3/4"	12'	AN
	IE 1638	1/2"	1"	1/8"	3/4"	12' 21'	AN, BC ML
	IE 1639	5/8"	1 1/4"	1/8"	1"	12'	AN
	IE 1640	1/2"	1 1/2"	1/8"	1 1/4"	12' 21'	AN ML
	IE 1641	1/2"	3/4"	1/8"	1/2"	12'	AN
	IE 1642	1"	1"	1/8"	3/4"	12' 21'	AN, SS ML
	IE 1643	1 1/2"	1"	1/8"	3/4"	12'	AN, SS
	IE 1644	1"	1 1/2"	1/8"	1 1/4"	8' 12' 21'	AN AN ML
	IE 1645	3/4"	1 3/4"	0.090"	1 1/2"	12'	AN
	IE 1646	1"	2"	1/8"	1 3/4"	12' 21'	AN ML
	IE 1647	1/2"	2"	1/8"	1 3/4"	12'	AN
	IE 1648	1"	3"	1/8"	2 3/4"	12' 21'	AN ML
	IE 1650	2"	1"	1/8"	3/4"	12'	AN

FINISHES: **AN**-Anodized, **BC**-Brite Clear, **BK**-Brite Black, **BS**-Brass, **BZ**-Bronze, **ML**-Mill, **SB**-Satin Black, **SS**-Stainless Steel Brushed

CUSTOMER SERVICE • PHONE: 888-501-8689 FAX: (416) 798-1094



DRAWING	PART NUMBER	DIMENSIONS				LENGTH	FINISH
		E	A	T	I/R		
CHANNEL - Rounded Inside - Structural							
	IE 1729	1 1/2"	2"	1/8"	0.125"	20'	ML
	IE 1754	2"	3"	1/4"	0.188"	20'	ML
	IE 1755	2"	4"	3/16"	0.375"	20'	ML
	IE 1756	1 1/2"	3"	1/4"	0.312"	20'	ML
	IE 1757	2"	6"	0.281"	0.437"	20'	ML
	IE 1776	3"	8"	9/32"	0.500"	20'	ML
	IE 1778	2 1/2"	6"	1/4"	0.437"	20'	ML
	IE 1782	3 1/2"	10"	5/16"	0.562"	20'	ML
T BAR							
	IE 1830	3/4"	3/4"	1/8"		8', 12'	AN
	IE 1831	1"	2"	1/8"		12'	ML
	IE 1832	1"	1"	1/8"		12'	AN, ML
	IE 1834	2"	2"	1/8"		12'	AN
	IE 1837	2"	1"	0.118"		12'	ML
T BAR - Rounded Inside - Structural							
	IE 1936	1 1/2"	1 1/2"	3/16"	0.188"	12', 24'	ML
	IE 1938	2"	2"	1/4"	0.250"	20'	ML
SOLID BAR - Half Oval							
	IE 2013	9/64"	3/8"			12'	AN, BC
	IE 2014	9/64"	1/2"			12'	AN, BC
	IE 2015	9/64"	11/16"			12'	AN, BC
	IE 2016	3/16"	3/4"			12'	AN, BC
	IE 2018	3/16"	1"			12'	AN
SOLID BAR - Square							
	IE 2406	1/4"	1/4"			12'	AN, BC, ML
	IE 2408	1/2"	1/2"			12'	AN, ML
	IE 2409	3/4"	3/4"			12'	ML
	IE 2466	1"	1"			12'	ML
	IE 2490	1 1/2"	1 1/2"			12'	ML

FINISHES: AN-Anodized, BC-Brite Clear, BK-Brite Black, BS-Brass, BZ-Bronze, ML-Mill, SB-Satin Black, SS-Stainless Steel Brushed

CUSTOMER SERVICE • PHONE: 888-501-8689 FAX: (416) 798-1094



STANDARD SHAPES

DRAWING	PART NUMBER	DIMENSIONS				LENGTH	FINISH
		E	A	T	I/R		
SOLID BAR - Rectangular							
	IE 2410	1/8"	3/8"			12'	AN, BC
	IE 2412	1/8"	1/2"			8', 12' 20'	AN, BC, BK ML
	IE 2413	1/8"	5/8"			12'	AN, BC
	IE 2414	1/8"	3/4"			8' 12' 20'	AN AN, BC ML
	IE 2416	1/8"	1"			8' 12' 20'	AN AN, BC ML
	IE 2418	1/8"	1 1/2"			12' 20'	AN, BC, BZ, SB ML
	IE 2420	1/8"	2"			12' 20'	AN, BS ML
	IE 2421	1/4"	1/2"			20'	ML
	IE 2425	1/8"	2 1/2"			20'	ML
	IE 2426	1/8"	3"			12' 20'	AN, BC ML
	IE 2428	1/8"	4"			12' 20'	AN ML
	IE 2429	1/4"	3/4"			12' 20'	AN, ML ML
	IE 2430	1/4"	1"			12' 20'	AN, BC, ML ML
	IE 2431	1/4"	1 3/4"			12', 20'	ML
	IE 2432	1/4"	1 1/2"			12' 20'	AN, ML ML
	IE 2434	1/4"	2"			12' 20'	AN, ML ML
	IE 2436	3/8"	3/4"			12', 20'	ML
	IE 2437	1/4"	3"			12', 20'	ML
	IE 2438	3/8"	1"			12', 20'	ML
	IE 2439	1/4"	4"			12', 20'	ML
	IE 2440	1/4"	5"			12', 20'	ML
IE 2441	3/4"	1"			10', 12', 20'	ML	

FINISHES: AN-Anodized, BC-Brite Clear, BK-Brite Black, BS-Brass, BZ-Bronze, ML-Mill, SB-Satin Black, SS-Stainless Steel Brushed

CUSTOMER SERVICE • PHONE: 888-501-8689 FAX: (416) 798-1094

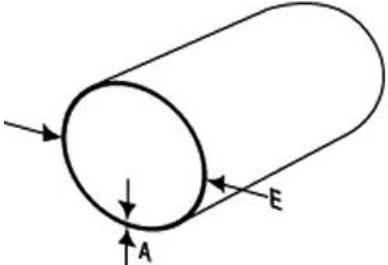


DRAWING	PART NUMBER	DIMENSIONS				LENGTH	FINISH
		E	A	T	I/R		
SOLID BAR - Rectangular							
	IE 2442	1/2"	3/4"			12', 20'	ML
	IE 2443	1/4"	6"			12', 20'	ML
	IE 2444	1/2"	1"			12', 20'	ML
	IE 2446	3/8"	2 1/2"			20'	ML
	IE 2447	3/16"	2 1/2"			20'	ML
	IE 2448	1/2"	1 1/2"			12', 20'	ML
	IE 2449	1/4"	3 1/2"			12', 20'	ML
	IE 2450	1/2"	2"			12', 20'	ML
	IE 2451	1/2"	4"			12', 20'	ML
	IE 2454	3/8"	1 1/2"			12', 20'	ML
	IE 2455	1/2"	3"			12', 20'	ML
	IE 2458	3/4"	3"			12', 20'	ML
	IE 2459	1/2"	4"			12', 20'	ML
	IE 2460	1/2"	5"			12', 20'	ML
	IE 2461	1/4"	1 1/2"			12', 20'	ML
	IE 2468	1/4"	8"			12', 20'	ML
	IE 2470	1"	1 1/2"			12', 20'	ML
IE 2480	1"	2"			12', 20'	ML	
IE 2482	1"	3"			12', 20'	ML	
SOLID BAR - Round							
	IE 2809	15/64"				12'	ML
	IE 2810	1/4"				12'	AN, BC, ML
	IE 2812	3/8"				12'	AN, ML
	IE 2814	1/2"				12'	ML
	IE 2815	5/8"				12'	ML
	IE 2816	3/4"				12'	BC, ML
	IE 2817	7/8"				12'	ML
	IE 2818	1"				12'	ML
	IE 2822	1 1/2"				12'	ML
	IE 2824	2"				12'	ML
	IE 2826	2 1/2"				12'	ML
IE 2828	3"				12'	ML	

FINISHES: AN-Anodized, BC-Brite Clear, BK-Brite Black, BS-Brass, BZ-Bronze, ML-Mill, SB-Satin Black, SS-Stainless Steel Brushed

CUSTOMER SERVICE • PHONE: 888-501-8689 FAX: (416) 798-1094



DRAWING	PART NUMBER	DIMENSIONS				LENGTH	FINISH
		E	A	T	I/R		
HOLLOW TUBE - Round							
	IE 3008	3/8"	0.094"			12'	AN, BC, BS
	IE 3009	0.480"	0.039"			12'	ML
	IE 3012	1/2"	0.050"			12'	AN
						20'	ML
	IE 3014	5/8"	0.065"			12'	AN, BC
	IE 3016	3/4"	0.050"			12'	AN
	IE 3017	3/4"	0.065"			6'	ML
						12'	AN
						21'	ML
	IE 3018	7/8"	1/16"			12'	AN
						21'	ML
	IE 3019	1"	0.065"			12'	BA, MB
	IE 3030	1"	0.050"			12'	AN, BC
	IE 3032	1 1/4"	0.065"			21'	ML
	IE 3034	1 1/2"	1/16"			12'	AN
						20', 21'	ML
	IE 3036	2"	1/16"			12'	AN
						20', 21'	ML
	IE 3038	3"	1/16"			12'	ML
	IE 3039	2"	1/8"			20'	ML
	IE 3040	1"	1/8"			20'	ML
	IE 3042	1 1/2"	1/8"			12'	AN
						20', 21'	ML
	IE 3043	2 1/2"	1/16"			12'	AN
IE 3044	2 1/2"	1/8"			12'	AN	
					20'	ML	
IE 3046	3"	1/8"			20'	ML	
IE 3048	4"	1/8"			12'	AN	
					20'	ML	
IE 3050	5"	1/8"			12'	AN	
					20'	ML	
IE 3060	6"	1/8"			12'	AN	
					20'	ML	

NOTE: While some of our Hollow Round and Square Tubes might seem like they can fit inside one another, the only Tubes we carry that we Guarantee will marry together are our "Telescopic Tubes". All other Hollow Round and Square tubes are industry standard profiles that have not been designed to fit together.

FINISHES: **AN**-Anodized, **BA**-Brushed Anodized, **BC**-Brite Clear, **BK**-Brite Black, **BS**-Brass, **BZ**-Bronze, **MB**-Mill Brushed, **ML**-Mill, **SB**-Satin Black, **SS**-Stainless Steel Brushed



DRAWING	PART NUMBER	DIMENSIONS				LENGTH	FINISH
		E	A	T	I/R		
HOLLOW TUBE - Square							
	IE 3210	1/2"	1/2"	1/16"		12'	AN
	IE 3211	5/8"	5/8"	1/16"		12'	AN
	IE 3212	3/4"	3/4"	0.050"		12'	AN
	IE 3214	1"	1"	1/16"		12'	AN
						21'	ML
	IE 3216	1 1/2"	1 1/2"	0.050"		12'	AN
	IE 3228	3/4"	3/4"	1/8"		20'	AN
						21'	ML
	IE 3230	1"	1"	0.120"		12'	AN
						20'	ML
						21'	AN, ML
	IE 3233	1 1/2"	1 1/2"	0.095"		21'	ML
	IE 3235	1 3/4"	1 3/4"	0.120"		21'	ML
	IE 3236	2"	2"	1/8"		20', 21'	ML
IE 3239	2 1/2"	2 1/2"	1/8"		20', 21'	ML	
IE 3240	3"	3"	0.120"		20', 21'	ML	
IE 3260	4"	4"	1/8"		21'	ML	
HOLLOW TUBE - Rectangular							
	IE 3410	1"	1.5"	1/8"		12'	AN
						21'	ML
	IE 3411	1"	2"	0.095"		21"	ML
	IE 3412	1"	2"	1/8"		12'	AN
						21'	ML
	IE 3413	1"	2"	1/8"		24'	AN
	IE 3414	1"	3"	0.120"		12'	AN
						21'	ML
	IE 3418	2"	3"	1/8"		20', 21'	ML
IE 3419	1"	4"	1/8"		21'	ML	

NOTE: While some of our Hollow Round and Square Tubes might seem like they can fit inside one another, the only Tubes we carry that we Guarantee will marry together are our "Telescopic Tubes". All other Hollow Round and Square tubes are industry standard profiles that have not been designed to fit together.

FINISHES: **AN**-Anodized, **BC**-Brite Clear, **BK**-Brite Black, **BS**-Brass, **BZ**-Bronze, **ML**-Mill, **SB**-Satin Black, **SS**-Stainless Steel Brushed



DRAWING	PART NUMBER	DIMENSIONS				LENGTH	FINISH
		E	A	T	I/R		
HOLLOW TUBE - Rectangular							
	IE 3420	2"	4"	1/8"		20'	ML
	IE 3422	1"	4"	1/8"		21'	AN, ML
	IE 3423	1 1/2"	2"	1/8"		24'	AN
	IE 3426	2"	6"	1/8"		21'	ML
	IE 3433	1 3/4"	4"	3/32"		24'	AN
	IE 3434	1 3/4"	4 1/2"	3/32"		12'	AN
	IE 3434	1 3/4"	4 1/2"	3/32"		21'	AN
HOLLOW TUBE - Telescopic							
	IE 3213	3/4"	3/4"	0.100"	***	12', 24'	AN, ML
	IE 3215	1 1/4"	1 1/4"	0.090"	***	12', 24'	AN, ML
	IE 3217	1 1/4"	1 1/4"	0.120"	***	12', 24'	AN, ML
	IE 3219	1.530"	1.530"	1/8"	***	12', 24'	AN, ML
	IE 3220	1"	1"	0.062"		12', 24'	AN, ML
	IE 3232	1"	1"	1/8"		12', 24'	AN, ML
THRESHOLD							
	IE 5824	1/4"	4"			3', 4', 6', 12'*	ML
	IE 5825	1/4"	5"			3', 4', 6', 12'*	ML
	IE 5826	1/4"	6"			3', 4', 6', 12'*	ML
	IE 5834	1/2"	4"			3', 4', 6', 12'*	ML
	IE 5835	1/2"	5"			3', 4', 6', 7', 8', 12'*	ML
	IE 5836	1/2"	6"			3', 4', 6', 12'*	ML
	IE 5844	0.090"	1"			12'*	AN, ML
	IE 5847	0.185"	2 1/2"			12'*	ML

*****Radius Dimensions**

P/No.	inside radius	outside radius
IE-3213	0.100"	0.100"
IE-3215	0.098"	0.188"
IE-3217	0.068"	0.188"
IE-3219	0.200"	0.200"

***Threshold Details:**

3, 4, 6, 7 and 8 foot lengths are drilled.
12 foot lengths are not drilled.

NOTE: While some of our Hollow Round and Square Tubes might seem like they can fit inside one another, the only Tubes we carry that we Guarantee will marry together are our "Telescopic Tubes". All other Hollow Round and Square tubes are industry standard profiles that have not been designed to fit together.

FINISHES: **AN**-Anodized, **BC**-Brite Clear, **BK**-Brite Black, **BS**-Brass, **BZ**-Bronze, **ML**-Mill, **SB**-Satin Black, **SS**-Stainless Steel Brushed

CUSTOMER SERVICE • PHONE: 888-501-8689 FAX: (416) 798-1094